

Description:

The ENVIRO-SEAL™ live-loaded packing systems provide the highest level of stem seal integrity for linear control valves supplied by VRG Controls. The ENVIRO-SEAL™ can be supplied with a new Linear Globe Type Control Valve or as retrofit item to eliminate steam seal leaks on existing linear control valves. The ENVIRO-SEAL™ features a live-loaded packing system that mitigates emissions without compromising control valve performance. The ENVIRO-SEAL™ system is easily retrofittable and ensures greater reliability and less maintenance.

VRG Controls is an independent supplier of aftermarket replacement parts and is not affiliated with Fisher Controls. Original equipment manufacturer (OEM) names are the trademarks of each manufacturer. On products marked "equivalent", "replacement", or "aftermarket", OEM names and part numbers are for reference only.

Common Applications:

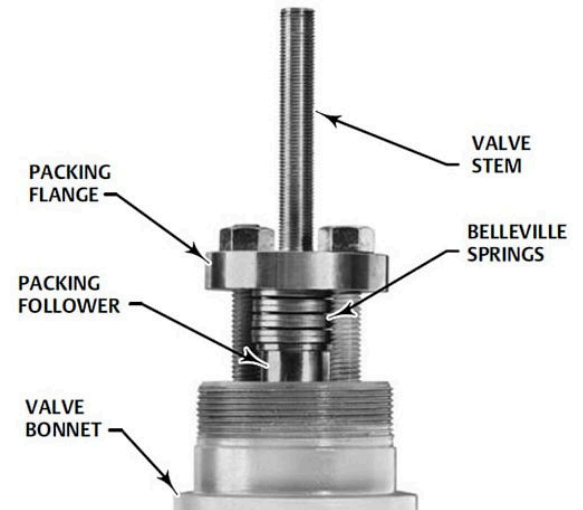
- VRG Supplied Linear Control Valves: EZ Series / ET Series / EWT Series
- Fits VRG, CVS Controls™ and Fisher™

Features:

- Enhanced Live-Loaded Stem Seals Protect Against Emissions
- Maximize Reliability and Reduce Maintenance
- Includes all Mechanical Components, ID Tag and Seals
- Available on new VRG Controls Linear Control Valve Assemblies
- Available for retrofit to VRG Controls Linear Control Valve Assemblies
- Meets Or Exceeds OEM Specifications
- Cost Effective Solution to OEM Parts

Specifications:

Components Included:	Packing Follower & Flange Belleville Springs Packing Seals Nuts & Studs Enviro-Seal™ ID Tag
Use With:	CV "EZ" Type CV "ET" Type CV "EWT" Type
Use with Stem Sizes:	0.375 in Stem 0.500 in Stem 0.705 in Stem
Available Kits	
For 0.375 in Sliding Stem Dia	RKENVIROGVR375 RPACKXRT0## (FISHER) VRG Part No. RK-####
For 0.500 in Sliding Stem Dia	RKENVIROGVR500 RPACKXRT0022 (FISHER) VRG Part No. RK-2002
For 0.750 in Sliding Stem Dia	RKENVIROGVR750 RPACKXRT0032 (FISHER) VRG Part No. RK-2007


Figure 1 – Enviro-Seal™ Typical Kit Assembly

Figure 2 – Enviro-Seal™ Typical Assembly