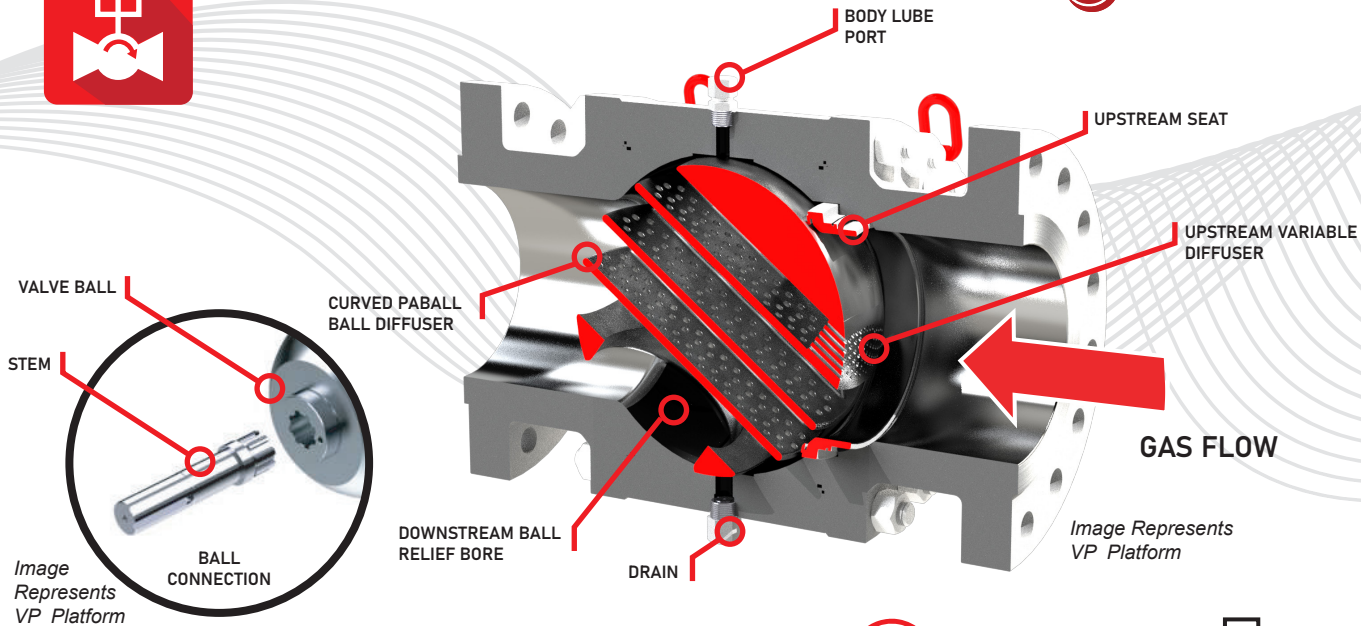




# PIPELINE ROTARY CONTROL VALVES



## PRCV-STHP



SIZE RANGE  
4 in to 24 in



MAX NOISE  
ATTENUATION  
25 dBA



MAX RANGE-ABILITY  
200:1



BELOW  
GROUND



ABOVE  
GROUND

### SPECS AND MATERIALS CONSTRUCTION

Size Range	4 in to 24 in
Max Noise Attenuation	25 dBA
Relative Capacity	High Capacity
Max Range-Ability	200:1
Shutoff	Class V

Design Standard	ASME B16.5 & B16.34 API 6FA / PED Compliant
Face-Face Dimensions	API 6D
Flange Dimensions	ASME B16.5
PED / ATEX / CE	Standard
ANSI Range	150 – 1500 ANSI
End Connections	RFFE, Weld, RTJ, Combo
Trim Type	Stealth Trim, Level HP
Performance Trim Technology	Upstream Variable Diffuser Curved Parallel Ball Diffuser Plates Downstream Ball Relief Hole
Max Control ΔP	1440 psid
Max Shutoff ΔP	FULL ANSI ΔP
Compatible Buried Applications	YES
Flow Profile Curve	Modified Equal Percentage
Min Control Cv	0.5% Max Cv
Max Control Cv	85% Max Cv
Seats	1X Upstream Metal Seats Std Soft Seats Optional Double Piston Effect
Compatible Actuators	VRG RHPA-DA VRG RHPA-SR Electric Actuators Electro-Hydraulic Actuators Other Manufacturers

Base Platform	VP
Control Valve Specs	Per VRG PRCV Specifications
Body (Forged)	A350 LF2
Stem	17-4PH SS
Ball	ASTM A694-F60 + 6.0 mil TCC PRCV Control Specification
Lubrication	Mobil SHC220 OR Valtex 2000
Stem Seal	PTFE V-PACK
Stem Injection	Stem Inject & Opposing Stem Relief Port
Body Drain	Rotate 90° From Stem - Qty 2 Opposed
Seat Ring	ASTM A182 F6NM + 6 mil TCC - Standard A350 LF2 + 3 mil ENP - Optional VRG Spec Seat Springs

<b>MATERIALS OF CONSTRUCTION</b>	
Seat Seal	ASTM A182 F6NM + 6 mil TCC - Standard DELTRIN Molded Profiled Insert - Optional
O-Rings	VITON GLD
Firesafe Seals	GRAPHITE
High Performance Trim	17-4PH SS OR INCONEL
Final Assembly and Test	ITALY
Country Origin	ITALY

8 - Applies to Type VP Platform

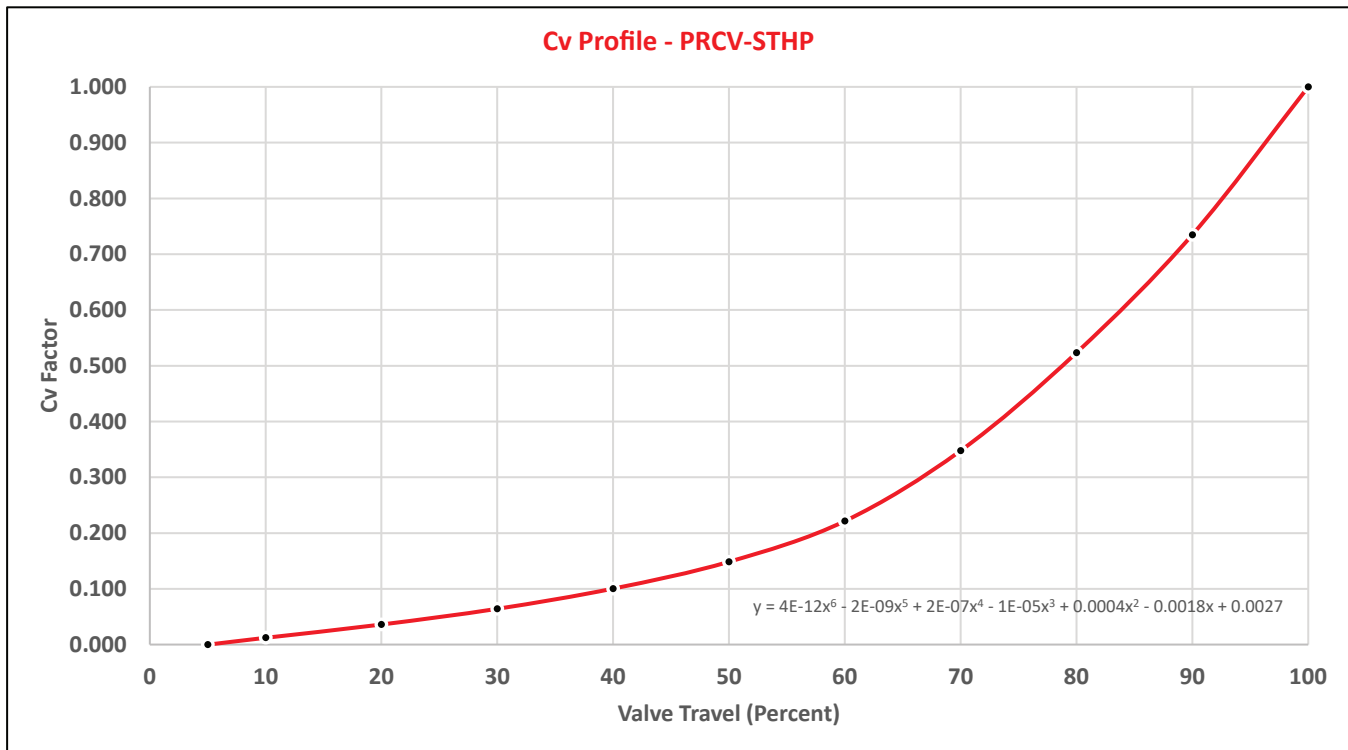


## CV PROFILE

### PERCENT TRAVEL

PRCV-STHP	MIN	5	10	20	30	40	50	60	70	80	90	100
<b>Cv Factor</b>	0.003	0.000	0.0124	0.036	0.064	0.101	0.149	0.222	0.348	0.523	0.735	1.000
6	2.6	0.0	10.7	31	56	87	129	193	303	455	639	870
8	5.4	0.0	22.2	65	116	181	267	399	626	942	1322	1799
10	8.8	0.0	36.1	106	188	294	434	647	1016	1529	2146	2920
12	10.7	0.0	43.9	129	229	357	528	787	1236	1860	2612	3553
16	19.0	0.0	78.0	228	406	635	939	1400	2197	3307	4643	6317
20	29.6	0.0	121.9	357	635	992	1467	2187	3434	5167	7255	9871
24	42.6	0.0	175.6	514	915	1429	2113	3150	4944	7440	10447	14214
<b>Xt</b>	0.862	0.865	0.862	0.859	0.852	0.841	0.829	0.820	0.811	0.778	0.649	0.278
<b>FI</b>	0.962	0.972	0.962	0.946	0.933	0.923	0.921	0.923	0.918	0.876	0.753	0.493

### Cv PROFILE - PRCV-STHP



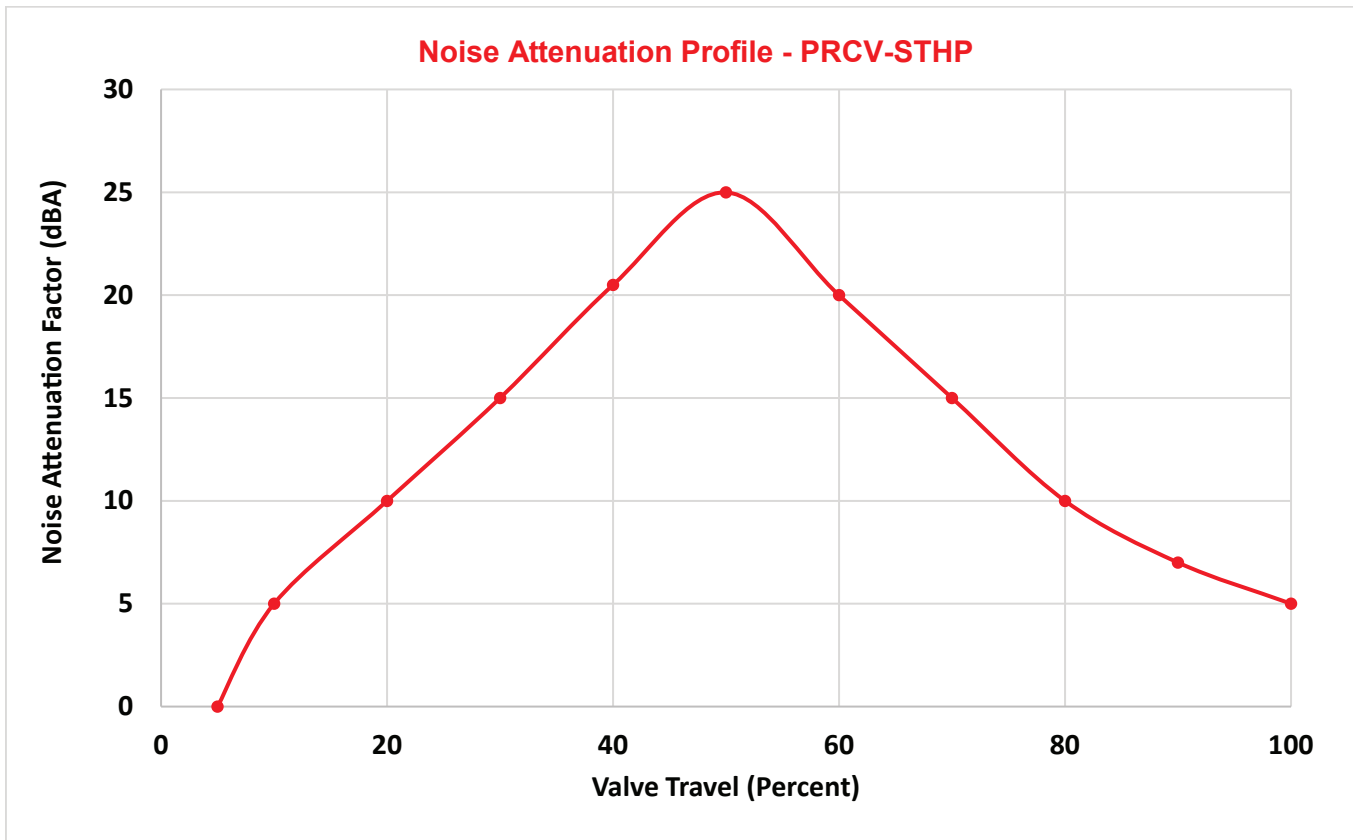


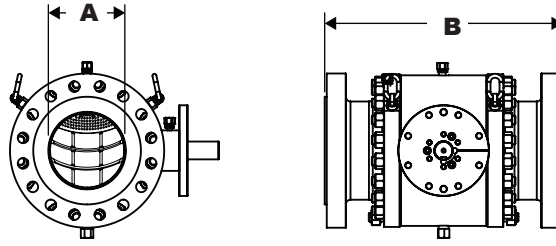
## NOISE ATTENUATION (DBA)

Noise Attenuation (dBA) vs. Rotation of PRCV Control Valve

Percent Rotation	0	5	10	20	30	40	50	60	70	80	90	100
PRCV-STHP		0	5	10	15	20.5	25	20	15	10	7	5

Noise Attenuation (dBA) vs. Rotation of PRCV Control Valve





**PRCV-STHP Series Face to Face Dimensions (RFFE)**

A Size (Bore)		B 150 ANSI		B 300 ANSI		B 600 ANSI		B 900 ANSI		B 1500 ANSI	
Inches	(mm)	Inches	(mm)	Inches	(mm)	Inches	(mm)	Inches	(mm)	Inches	(mm)
4"	100	9	229	12	305	17	432	18	457	21.5	546
6"	150	15.5	394	15.875	403	22	559	24	610	27.75	705
8"	200	18	457	19.75	502	26	660	29	737	32.75	832
10"	250	21	533	22.375	568	31	787	33	838	39	991
12"	300	24	610	25.5	648	33	838	38	965	44.5	1130
16"	400	30	762	33	838	39	991	44.5	1130	54.5	1384
20"	500	36	914	39	991	47	1194	52	1321	65.5	1664
24"	600	42	1067	45	1143	55	1397	61	1549	76.5	1943

**PRCV-STHP Series Standard Weights (RFFE) - VP PLATFORM**

Size (Bore)		150 ANSI		300 ANSI		600 ANSI		900 ANSI		1500 ANSI	
in	mm	Lbs.	kg	Lbs.	kg	Lbs.	kg	Lbs.	kg	Lbs.	kg
4"	100	187	85	216	98	298	135	390	177	399	181
6"	150	395	179	437	198	613	278	794	360	1069	485
8"	200	573	260	750	340	1041	472	1411	640	1808	820
10"	250	1036	470	1168	530	1764	800	2359	1070	3439	1560
12"	300	1532	695	1720	780	2447	1110	3199	1451	5198	2358
16"	400	2657	1205	3263	1480	4145	1880	5038	2285	9943	4510
20"	500	4641	2105	5049	2290	6283	2850	9612	4360	14947	6780
24"	600	7055	3200	7959	3610	12081	5480	15498	7030	25463	11550